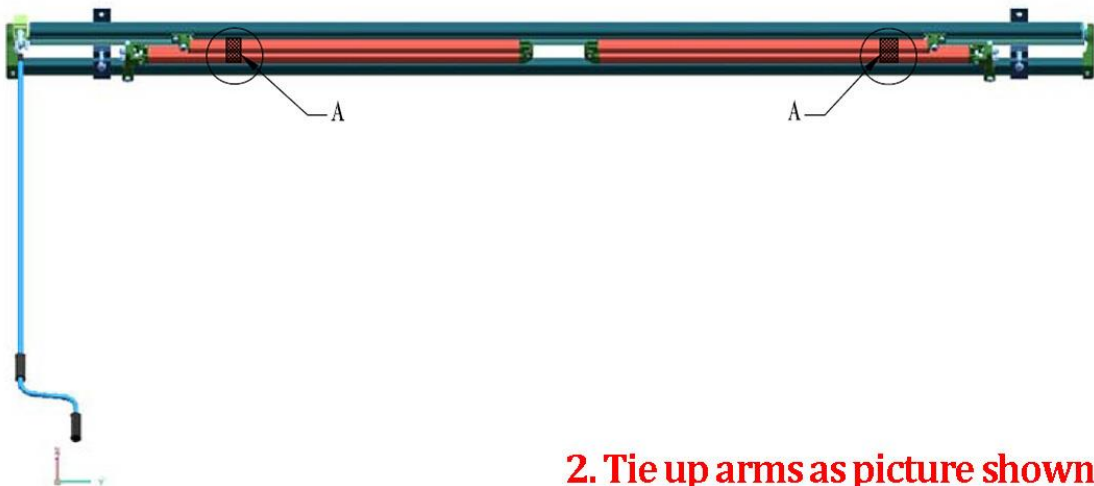
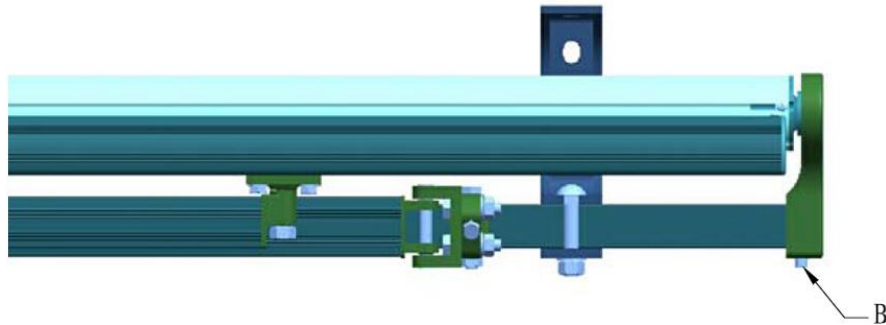




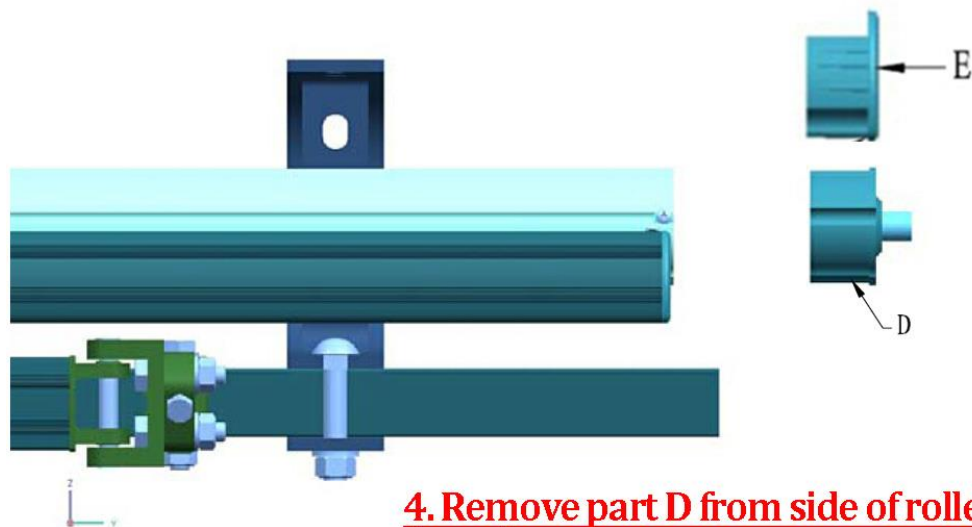
1. Retract awning



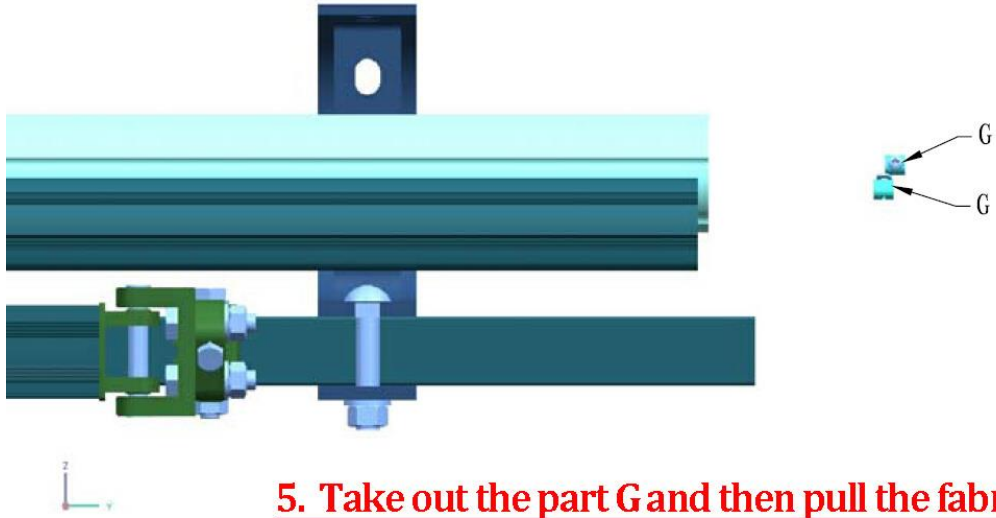
2. Tie up arms as picture shown



3. Unscrew bolts in B with allen wrench to dismantle side cover



4. Remove part D from side of roller and E from front bar.



5. Take out the part G and then pull the fabric out.